



# Sharx HTNC4503M

5 Megapixel Outdoor Day/Night Camera, Motorized 3x Zoom

## Key Features

- 5 Megapixel Resolution @ 15fps, 3 Megapixel Resolution @ 30 fps, Full HD @ 30 fps
- Motorized Varifocal 3.6 to 10mm Lens, Motorized 3 x optical zoom with smart focus
- Digital Wide Dynamic Range, True Day & Night
- 34 high power IR LEDs for up to 100 ft Night Vision Coverage in total darkness
- Connectors for Audio In/Out (1/1), Alarm In/Out (1/1)
- Solid metal construction, cable connection concealed in camera mount
- Mounts to wall, eave or ceiling with or without optional junction box HJB
- MicroSDHC card up to 256 GB (optionally available from Sharx Security)
- PoE, 12VDC (power supply not included,)
- **Suitable for US government applications - made in Korea without Huawei components**



## Key Functions

- Auto Exposure, Auto White Balance, Backlight Compensation
- Triple Stream (H.264, MJPEG) for simultaneous access to lo and hi resolution
- Onvif Profile S for compatibility with existing NVRs or software
- Easy Installation with IP Discovery software for Windows or Bonjour for Mac
- Full support for Internet Explorer, partial support for other browsers
- Advanced Intelligent Health Management automated diagnostic notification
- Event Boosting, FTP Image Upload, Open VPN, QoS, IP Filtering
- Privacy Masking with Face Detection
- Event Buffering for showing video prior to motion detection or other event

## Similar Models in this series

- **HTNC4300DM** 3 MP indoor micro dome, same 4:3 aspect ratio
- **HTNC4503DM** (same as HTNC4503M in mini dome housing)
- **HTNC5404M, HTNC5404DM** (4MP bullet and dome, 16:9 aspect ratio)
- **HTNC5803M, HTNC5803DM** (4K / 8MP bullet and dome, 16:9 aspect ratio)

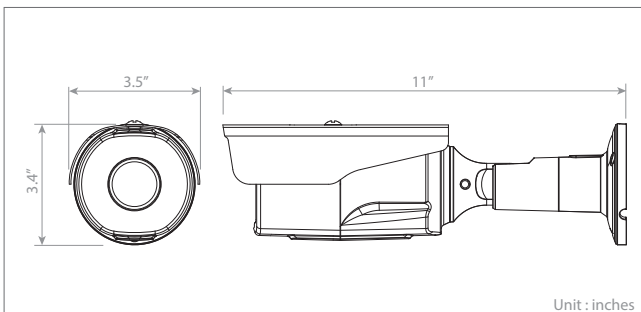
## Software

- Includes free Titanium V2 256 camera viewing software for PC and Mac (requires MicroSD or Sharx Security NVR for recording, NVR recommended)
- Supports Milestone VMS (free for 8 cameras, any resolution, no time limit)
- Supports 16 Camera Blueiris on PCs, 16 camera SecuritySpy on Mac
- Supports Luxriot, Genetec, Aimetis, SightHound, OpenALPR, IPTimeLapse, VLC

## Optional Sharx Accessories

- **HJB** outdoor junction box, original rectangular shape, suitable for pre-wiring
- **HCB** indoor / outdoor conduit box, round, compatible with pole mount **HCPM**
- **HCPM** heavy duty corner mount / pole mount, requires **HCB** conduit box
- **HTCP2701:** PoE power + networking for up to 1.5 miles range over coax
- **HTNR16560:** 480 fps 16-camera 5 MP NVR (16 PoE), up to 24 TB storage
- **HTNR16621:** 480 fps 16-camera 4K NVR (16 PoE), up to 24 TB storage
- **HTNR32620:** 960 fps 32-camera 4K NVR (16 PoE), up to 48 TB storage
- **HTVM64600:** 1920 fps 64-camera 2/4/8 NVR link, up to 48 TB offsite storage
- **HTVM80600S:** 3840 fps 128-camera 2/4/8 NVR link, up to 96 TB offsite storage

## Dimensions



## Technical Specifications

Model		Sharx Security HTNC4503M - made in South Korea	
<b>IMAGE</b>			
Lens	Motorized Varifocal Zoom 3.6~10mm, F1.5, built in Auto Iris		
Angle of View	95° (wide angle) to 40°(moderate telephoto), horizontal measurement		
Image Sensor	Type	1/1.8" SONY STARVIS CMOS Sensor	
	Pixels	3096(H)x2080(V)	
Min. Illumination	Color : 0.1Lux / BW : 0Lux@F1.5, 50IRE (IR LED On)		
Scanning Mode	Progressive Scan		
High Dynamic Range	Digital-WDR (Sony ATR-EX Adaptive Tone Reproduction)		
Day and Night Mode	True Day & Night (Auto, Day, Night)		
Noise Reduction	3DNR		
Digital Zoom	16X		
Exposure Control	Auto		
White Balance Control	Auto, Incandescent, Fluorescent, Outdoor		
Back Light Compensation	Yes		
Image Effect	Flip, Mirror, Aisle, Highlight Compensation, Distortion Correction		
Flicker Free Mode	50Hz, 60Hz		
Shutter Speed	Quantity		Auto(1/10,000 to 1sec), Manual
	Angle	34 IR LEDs, adjustable strength	
IR Illuminator	Distance	Up to 100 ft / 30 m IR night vision in total darkness	
	Motorized Lens Control	Yes	
<b>VIDEO/AUDIO</b>			
Compression	H.264(Baseline, Main, High Profile), MJPEG		
Bitrate Control	CVBR, VBR		
Resolution	2592x1944, 2560x1600, 2560x1440, 2048x1536, 1920x1080, 1280x1024, 1280x720/960, 1024x768, 704x480/576, 640x360/480, 320x240		
Frame Rate	Max 15fps @ 5 Megapixels, 30 fps @ 3 Megapixels or Full HD		
Streaming	15fps(Triple Stream : H.264x2, MJPEGx1)		
Composite Out	No		
Audio Compression	AAC or G.711 (with user supplied external amplified microphone)		
Audio Streaming	2 Way (with user supplied external amplified speaker)		
<b>SYSTEM</b>			
Video Contents Analysis	Tampering, Line Detector, Field Detector		
Motion Detection Area	16 Programmable Area (8 Include Areas, 8 Exclude Areas)		
Special Features	Wide angle de-warp, Aisle Mode (90 / 270 rotation), 8 Privacy Zones		
Email Attachment or FTP Upload	JPEG		
Event Notification	E-mail, FTP, Notification Server, XML Notification, Audio Alert, AIHM		
Audio Alert	User-Defined 3 Audio Files		
Login Authority	Administrator, Operator, Guest		
Event Buffering	FTP	Pre : 30sec, Post : 30sec	
	SD Record	Pre : 10sec, Post : 60sec	
Manual Trigger	4 Programmable Triggers		
Security	Multi User Authority, IP Filtering, HTTPS & SSL (for admin/settings)		
Network Time Sync	NTP Server, Synchronized Computer, Manual		
Software Reset	Restart, Reset, Factory Default		
Hardware Factory Reset	Yes		
Auto Recovery	Backup, Restore		
Remote Upgrade	Yes		
SD Recording Mode	Event, Continuous		
<b>NETWORK</b>			
Protocol	TCP/IP, UDP, IPv4/v6, HTTP, HTTPS, QoS, FTP, UPnP, RTP, RTSP, RTPC, DHCP, ARP, Zeroconf, Bonjour		
Client Software	Internet Explorer, Milestone, LuxRiot, Blueiris, SecuritySpy, VLC		
Max. User Connection	Live : up to 10 Users, Playback : up to 3 Users		
API Support	Open API, Onvif Compliance		
Mobile Support	Mobilinc, tinyCam, ONVIF compatible apps, free Titanium for use with NVR		
<b>EXTERNAL IN/OUT</b>			
Audio	1 Input, 1 Output(Terminal Block)		
Alarm	1 Input, 1 Output(Terminal Block)		
Ethernet	RJ-45(10/100Base-T)		
u-SD Card	MicroSDHC, MicroSDXC (Max 256GB, class 10 or faster)		
<b>ETC</b>			
Operating Humidity	0 to 100%RH (Weatherproof in rain, snow, ice conditions)		
Operating Temperature	-4 to +120 degrees Fahrenheit (-20 to +50 °C)		
Power Supply	PoE (802.3af compliance), 12VDC		
Power Consumption	180mA(8.5W)@PoE / 680mA(8.2W)@12VDC		
Dimension	3.5" (Width) x 3.4" (Height) x 9" (Length) / 90 (W) x 86 (H) x 279 (D) mm		
Net Weight	Approx. 2.3 lbs (1.04 kg)		
Ingress Protection	IP66		



www.sharxsecurity.com  
info@sharxsecurity.com

Copyright © 2019 Sharx Security, Inc. All rights reserved.

Specifications are subject to change without notice.